

25.61
[650.5]

52.57
[1335.4]

ACCESSORY MOUNTING
PATTERN 3.93 [100MM]

40.13
[1019.3]

20.37 MAX
[517.4]

HANGER BRACKET

0.84
[21.4]

4.59
[116.7]

16.00
[406.4]

24.00
[609.6]

MIN 7.94 [201.6]
MAX 33.94 [862]

10.13
[257.2]

☉ to UPPER
MOUNTING POINT

26.76
[679.6]

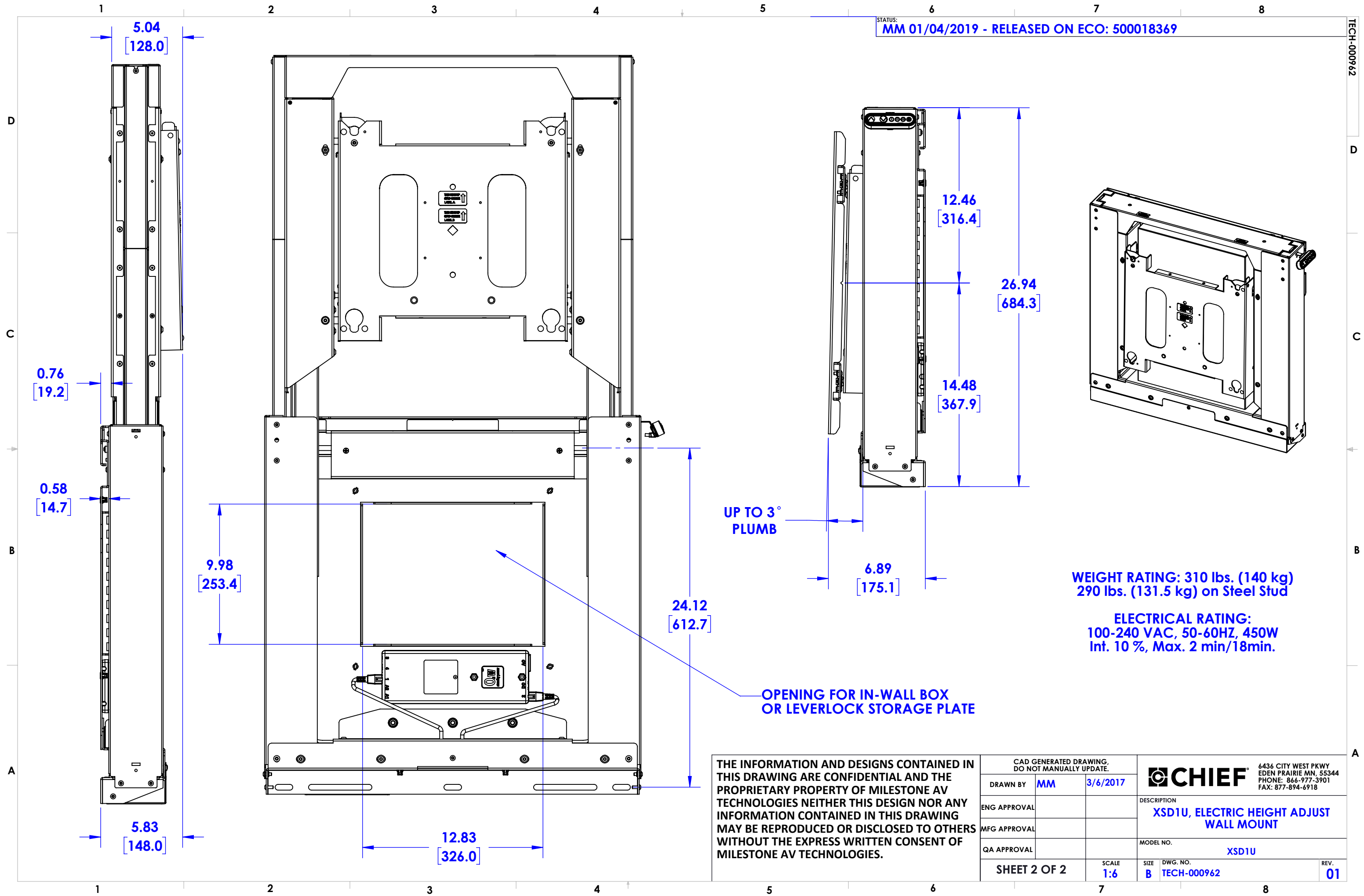
**WEIGHT RATING: 310 lbs. (140 kg)
290 lbs. (131.5 kg) on Steel Stud**

**ELECTRICAL RATING:
100-240 VAC, 50-60HZ, 450W
Int. 10 %, Max. 2 min/18min.**

THE INFORMATION AND DESIGNS CONTAINED IN THIS DRAWING ARE CONFIDENTIAL AND THE PROPRIETARY PROPERTY OF MILESTONE AV TECHNOLOGIES NEITHER THIS DESIGN NOR ANY INFORMATION CONTAINED IN THIS DRAWING MAY BE REPRODUCED OR DISCLOSED TO OTHERS WITHOUT THE EXPRESS WRITTEN CONSENT OF MILESTONE AV TECHNOLOGIES.

CAD GENERATED DRAWING, DO NOT MANUALLY UPDATE.		
DRAWN BY	MM	3/6/2017
ENG APPROVAL		
MFG APPROVAL		
QA APPROVAL		
SHEET 1 OF 2		
SCALE	1:6	

	6436 CITY WEST PKWY EDEN PRAIRIE MN, 55344 PHONE: 866-977-3901 FAX: 877-894-6918	
	DESCRIPTION XSD1U, ELECTRIC HEIGHT ADJUST WALL MOUNT	
MODEL NO. XSD1U		REV. 01
SIZE B	DWG. NO. TECH-000962	



**WEIGHT RATING: 310 lbs. (140 kg)
290 lbs. (131.5 kg) on Steel Stud**

**ELECTRICAL RATING:
100-240 VAC, 50-60HZ, 450W
Int. 10 %, Max. 2 min/18min.**

**UP TO 3°
PLUMB**

**OPENING FOR IN-WALL BOX
OR LEVERLOCK STORAGE PLATE**

THE INFORMATION AND DESIGNS CONTAINED IN THIS DRAWING ARE CONFIDENTIAL AND THE PROPRIETARY PROPERTY OF MILESTONE AV TECHNOLOGIES NEITHER THIS DESIGN NOR ANY INFORMATION CONTAINED IN THIS DRAWING MAY BE REPRODUCED OR DISCLOSED TO OTHERS WITHOUT THE EXPRESS WRITTEN CONSENT OF MILESTONE AV TECHNOLOGIES.

CAD GENERATED DRAWING, DO NOT MANUALLY UPDATE.			<p>6436 CITY WEST PKWY EDEN PRAIRIE MN, 55344 PHONE: 866-977-3901 FAX: 877-894-6918</p>	
DRAWN BY	MM	3/6/2017		
ENG APPROVAL			DESCRIPTION XSD1U, ELECTRIC HEIGHT ADJUST WALL MOUNT	
MFG APPROVAL			MODEL NO. XSD1U	
QA APPROVAL			SIZE	DWG. NO.
SHEET 2 OF 2			SCALE 1:6	TECH-000962
			REV.	01