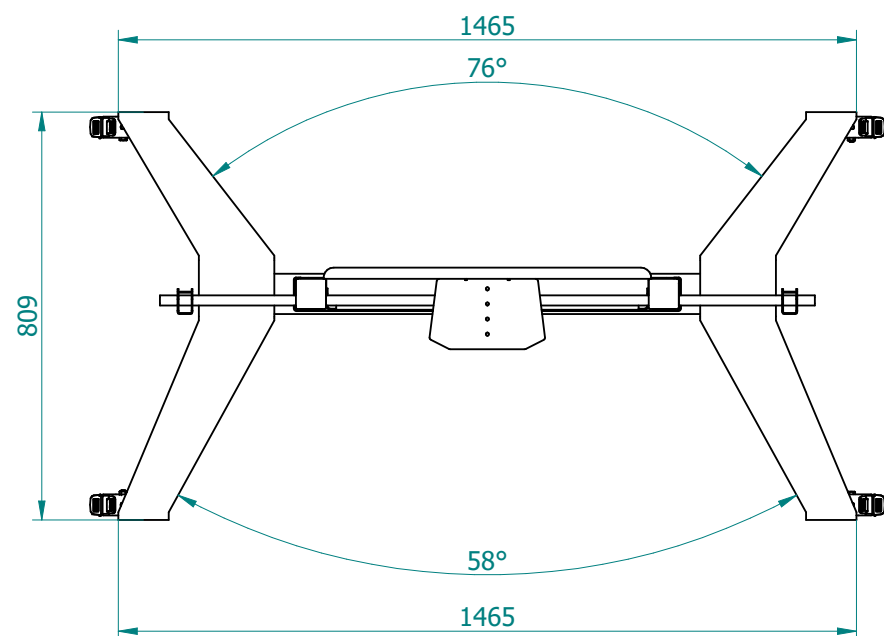
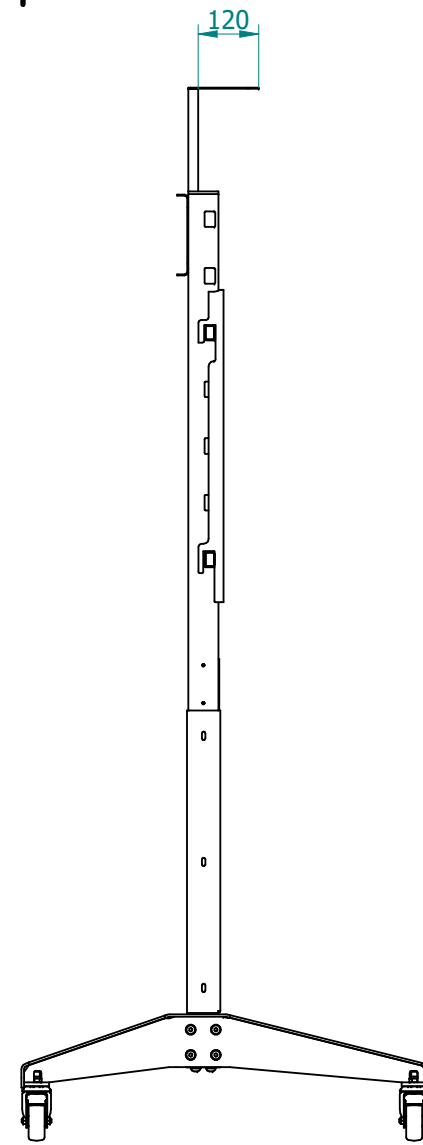
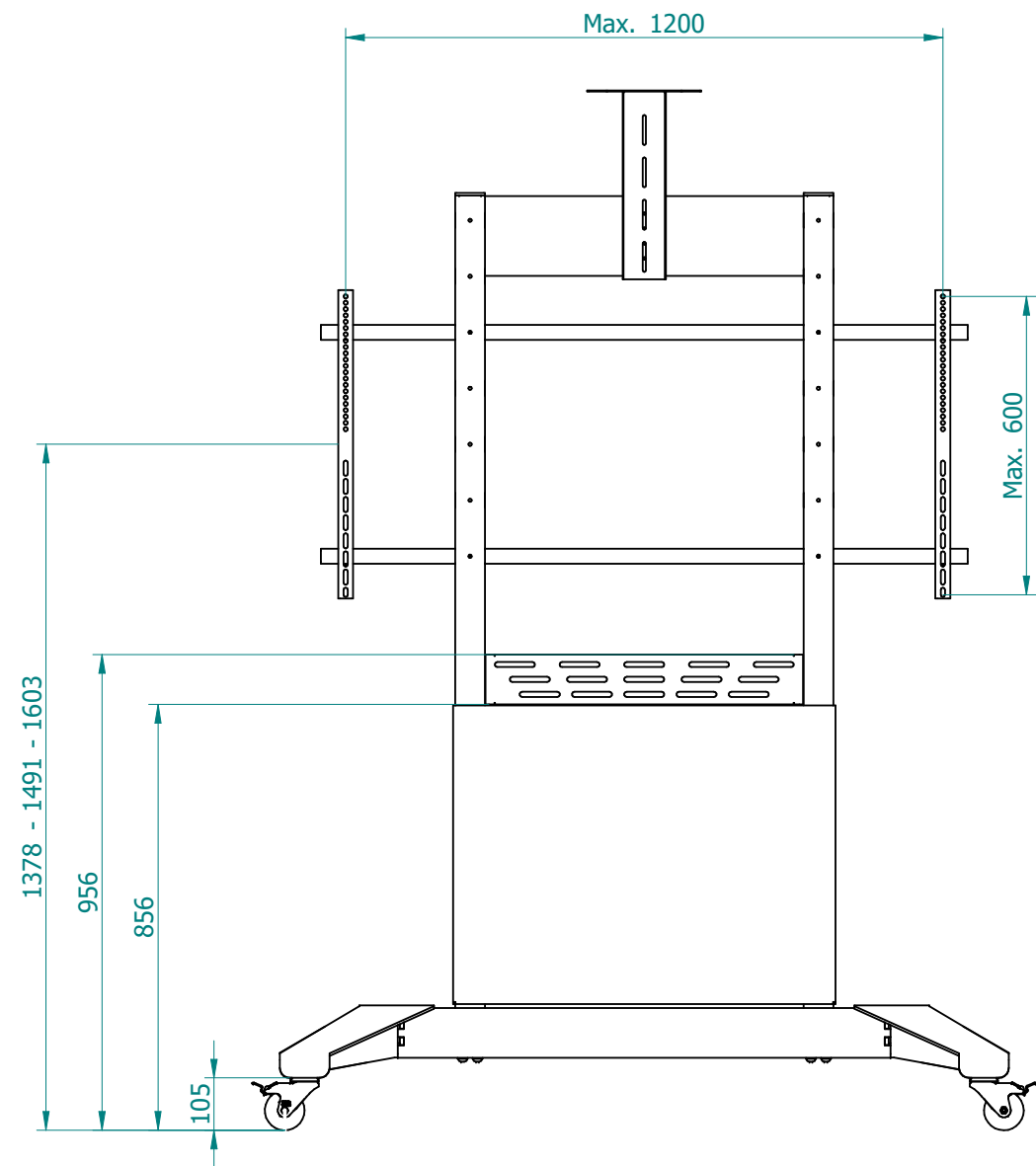
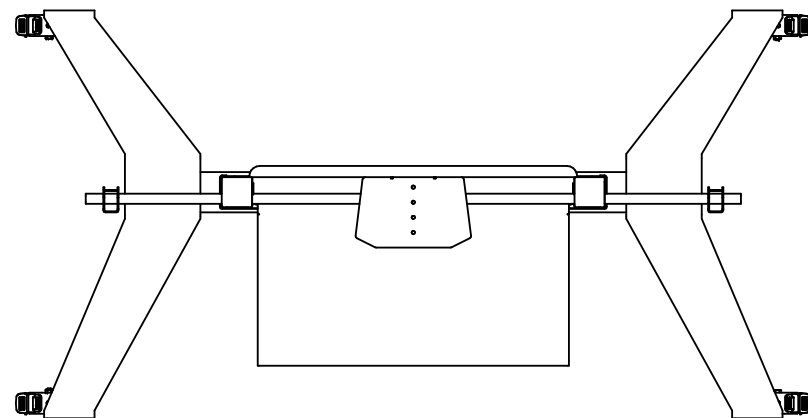
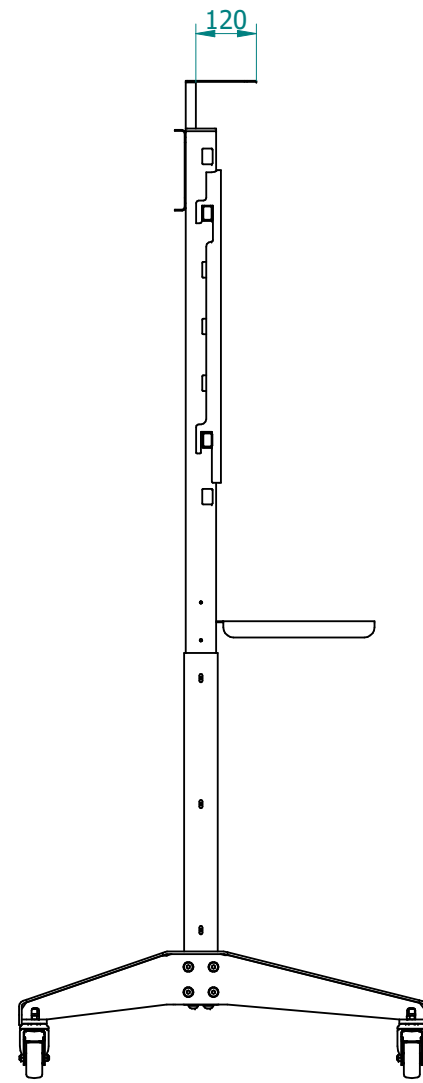
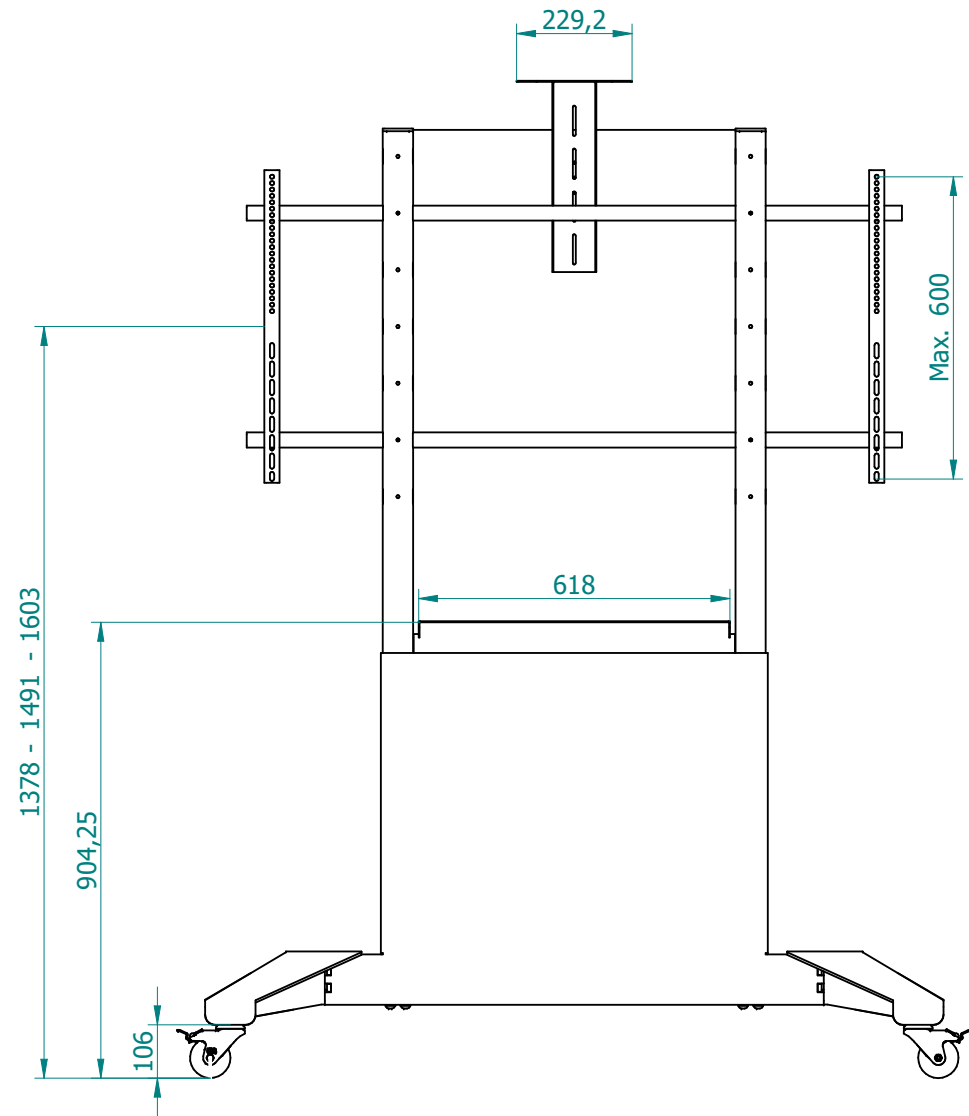



Rev.	Date of issue	Description	Sign
0001	13/02/2021	First edition	S.A.



Chamfers not indicated 0,5x45°	Roughness	General tolerances For linear dimensions: ±0,1 mm For angular dimensions: ISO 2768-m	Weight [kg] 52,69 kg	Scale 1/1	
Created by Santello Andrea		Date of issue 13/02/2021			
 TARGETED TO PROFESSIONALS		Title/Supplementary title XXL Trolley for screen up to 100"			
Code name/File name OMB_TrolleyXXL			Paper size A3	Sheet 1/3	

Rev.	Date of issue	Description	Sign
0001	13/02/2021	First edition	S.A.



Chamfers not indicated 0,5x45°	Roughness	General tolerances For linear dimensions: ±0,1 mm For angular dimensions: ISO 2768-m	Weight [kg] 52,69 kg	Scale 1/1	
 TARGETED TO PROFESSIONALS		Created by Santello Andrea	Date of issue 13/02/2021		
		Title/Supplementary title XXL Trolley for screen up to 100"			
		Code name/File name OMB_TrolleyXXL	Paper size A3	Sheet 2\3	

Rev.	Date of issue	Description	Sign
0001	13/02/2021	First edition	S.A.



Chamfers not indicated 0,5x45°	Roughness	General tolerances For linear dimensions: ±0,1 mm For angular dimensions: ISO 2768-m	Weight [kg] 52,69 kg	Scale 1:1	
Created by Santello Andrea		Date of issue 13/02/2021			
Title/Supplementary title XXL Trolley for screen up to 100"					
Code name/File name OMB_TrolleyXXL			Paper size A3	Sheet 3\3	

