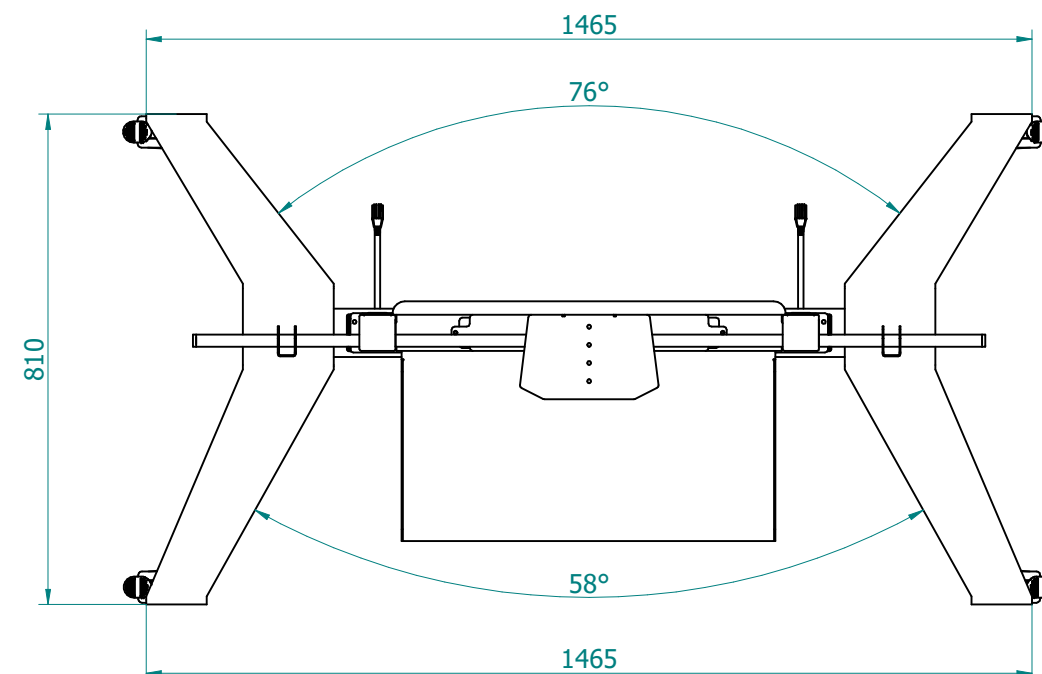
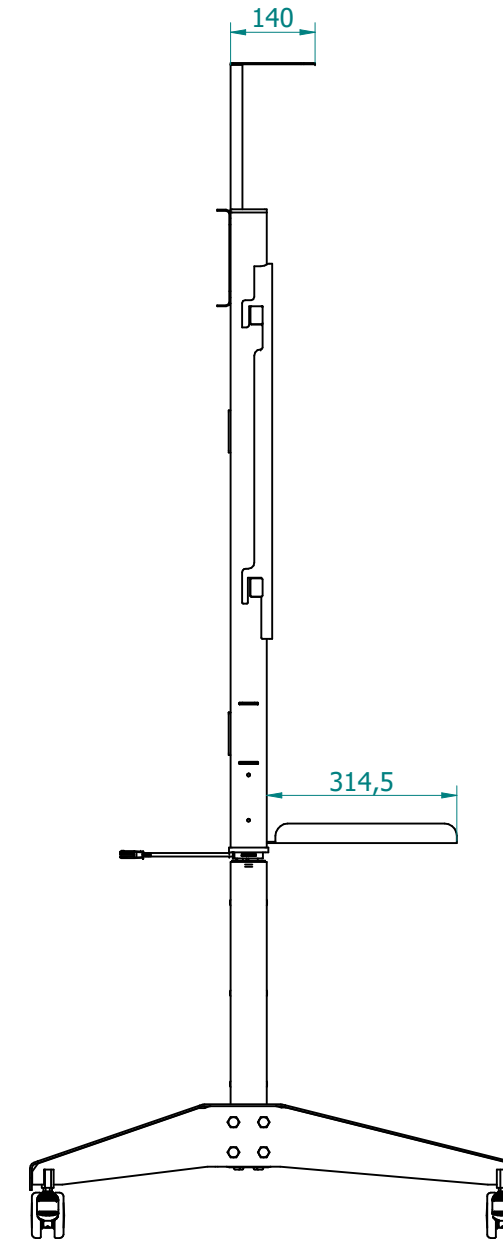
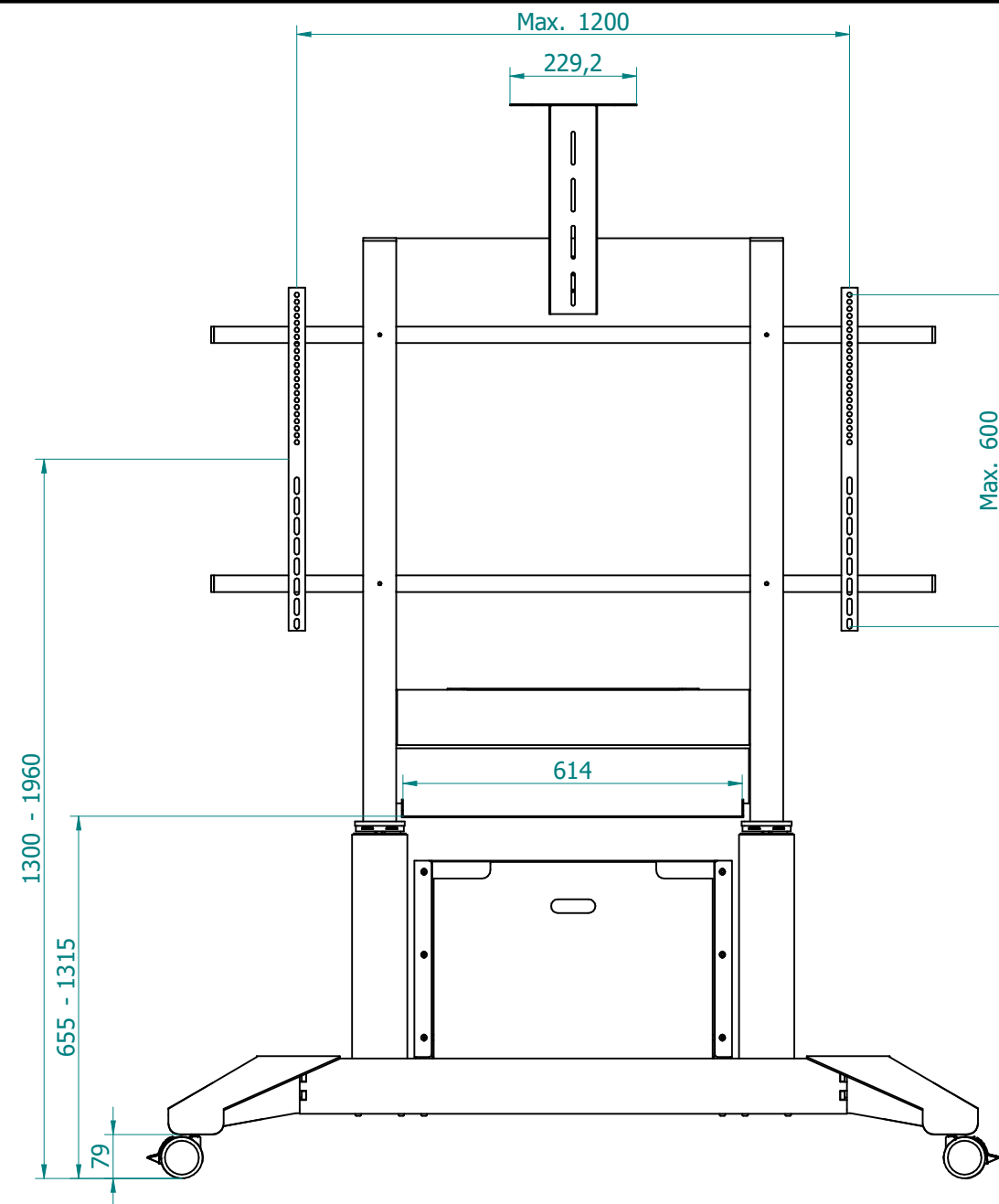
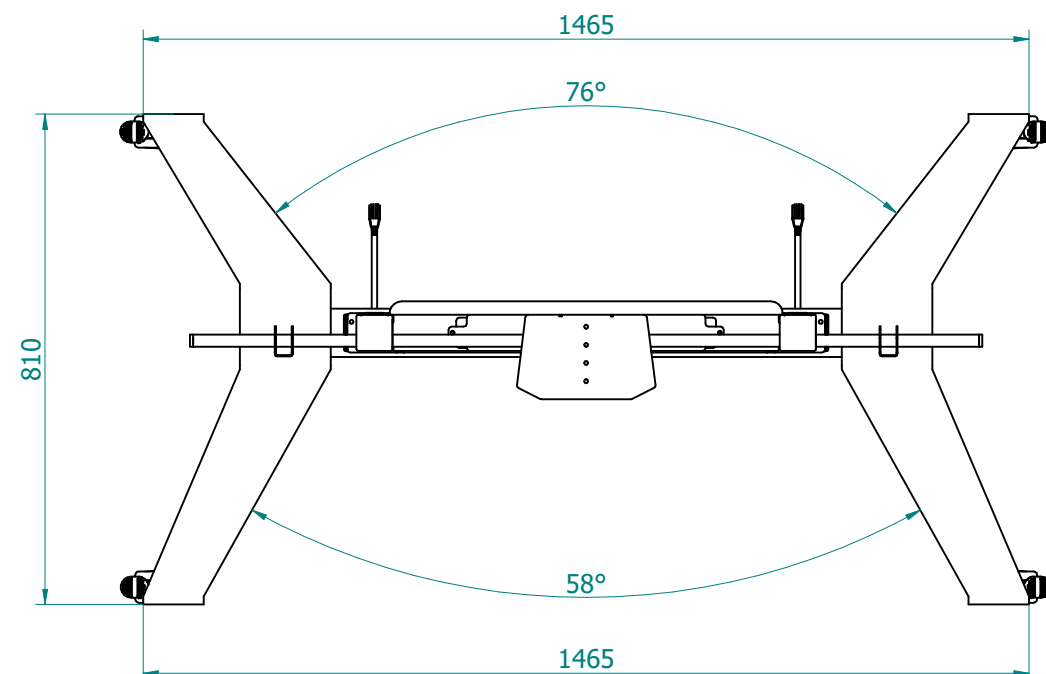
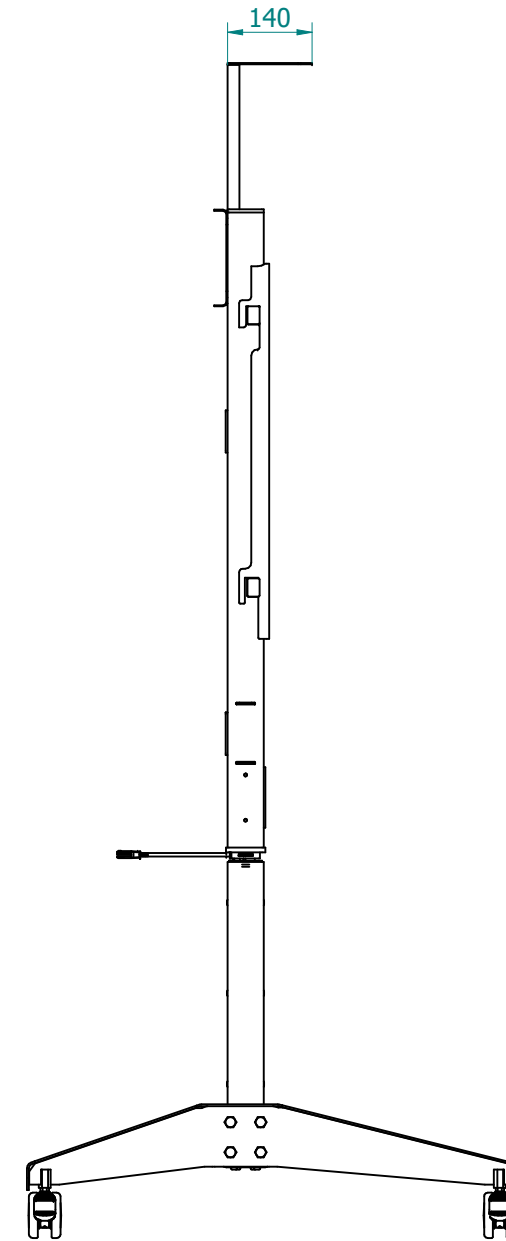
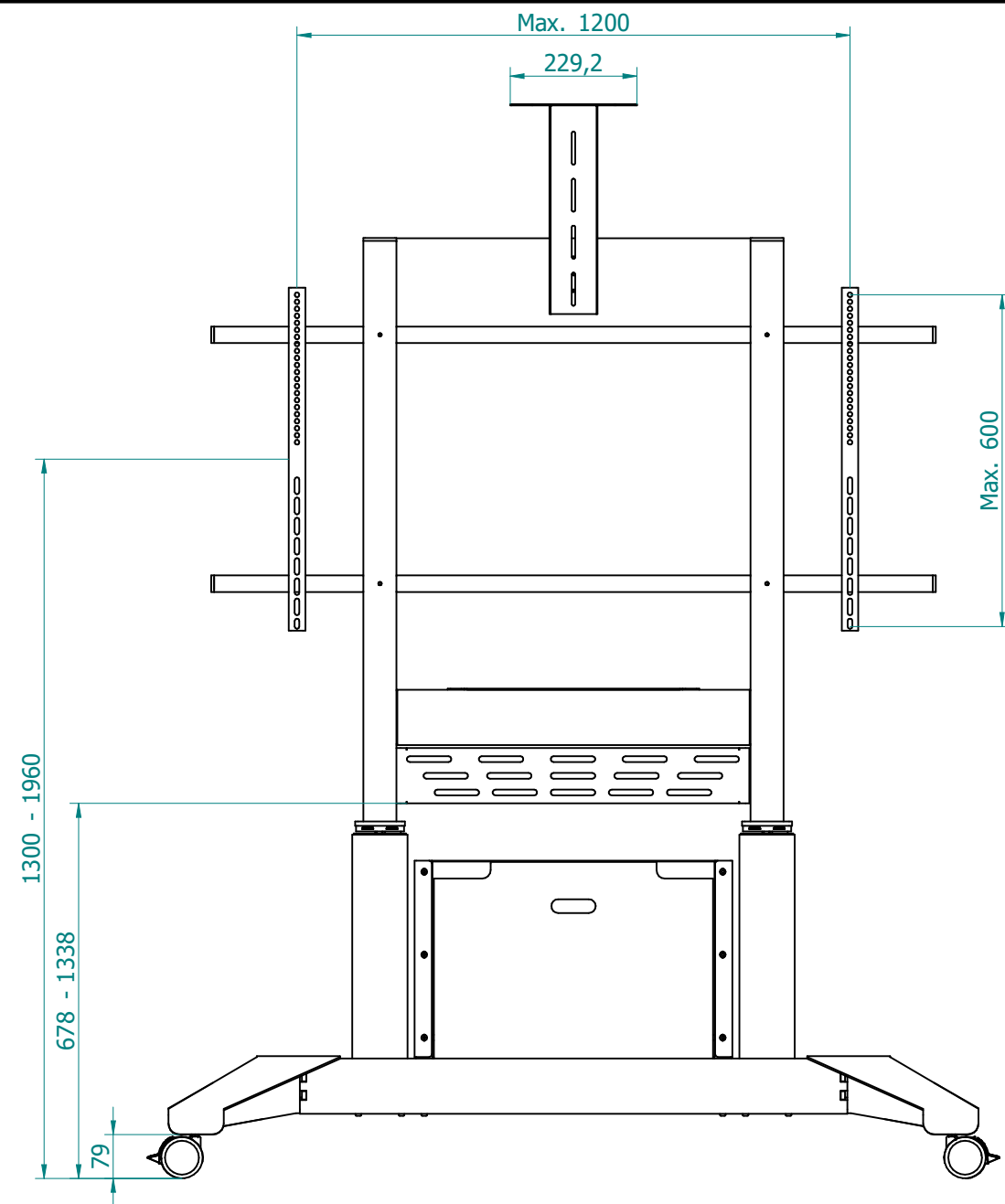


Rev.	Date of issue	Description	Sign
0001	04/10/2021	First edition	T.M.



Chamfers not indicated 0,5x45°	Roughness	General tolerances For linear dimensions: ±0.1 mm For angular dimensions: ISO 2768-m	Weight [kg] 63,64 kg	Scale 1/1	
		Created by Trabucco Marco	Date of issue 04/10/2021		
Code name/File name TMO_complete_Quote					Sheet 1\2 Paper size A3

Rev.	Date of issue	Description	Sign
0001	04/10/2021	First edition	T.M.



Chamfers not indicated 0,5x45°	Roughness	General tolerances For linear dimensions: ±0.1 mm For angular dimensions: ISO 2768-m	Weight [kg] 63,64 kg	Scale 1/1	
		Created by Trabucco Marco	Date of issue 04/10/2021		
Code name/File name TMO_complete_Quote					Sheet 2\2 Paper size A3