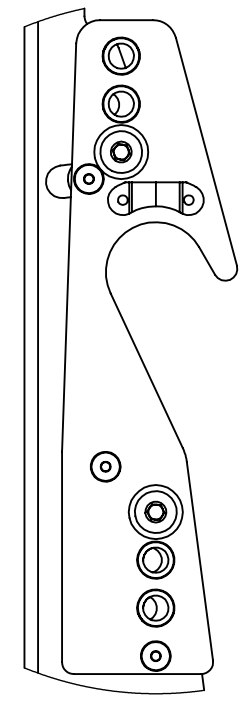
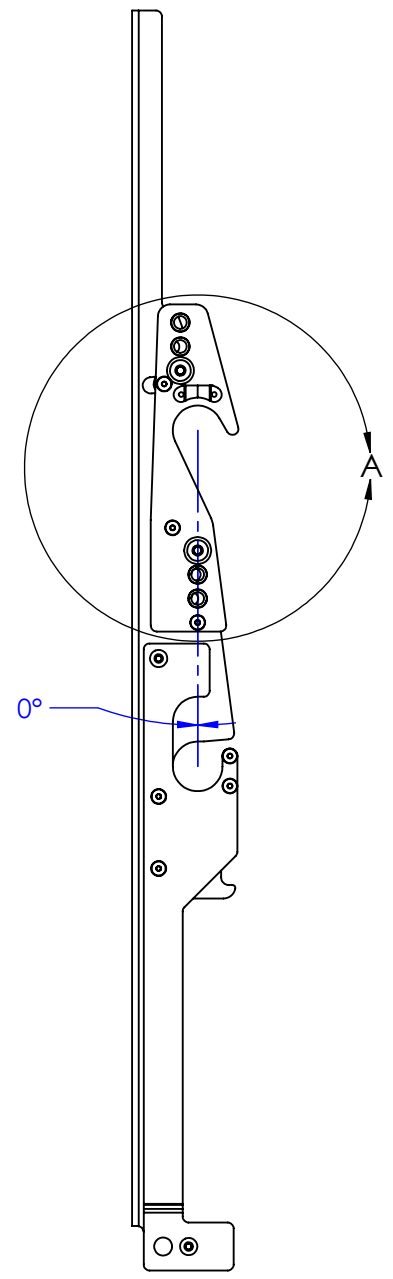


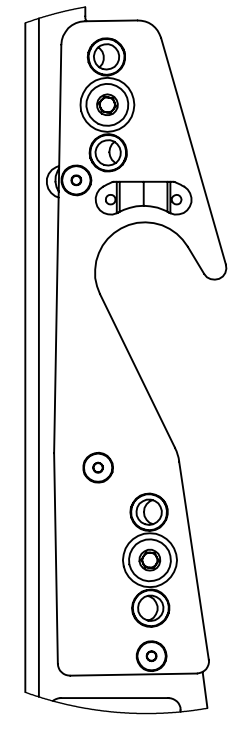
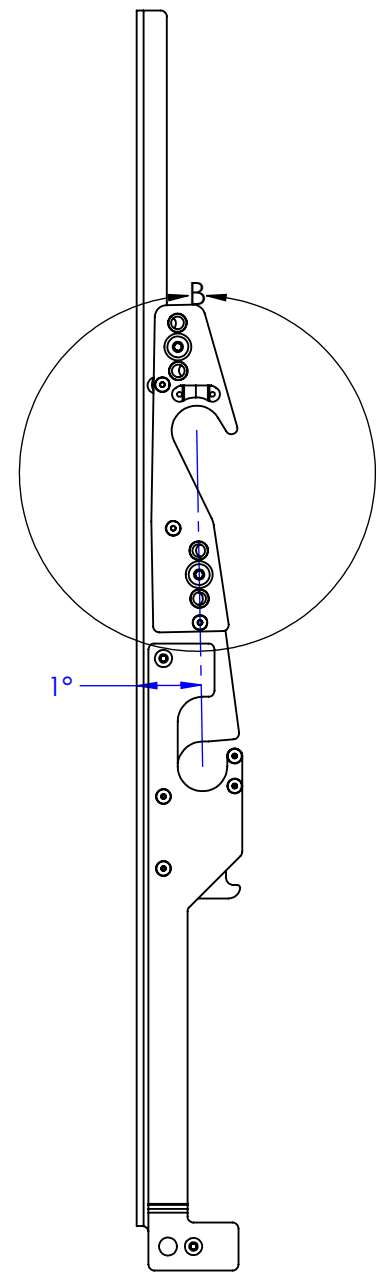
1. MAXIMUM MOUNTING PATTERN IS 74.2" (1885 mm) WITHOUT REVERSING UPRIGHTS
2. MAXIMUM MOUNTING PATTERN IS 76.9" (1954 mm) WITH REVERSING UPRIGHTS
3. MAXIMUM MONITOR HEIGHT 48.86 (1241mm) TO ALLOW FOR SERVICE/INSTALLATION (WITHOUT ADDING SPACERS)
4. FOR RECESSED APPLICATIONS, MINIMUM VERTICAL LIFT FOR HOOK ENGAGEMENT IS .75" (19 mm)

THE INFORMATION AND DESIGNS CONTAINED IN THIS DRAWING ARE CONFIDENTIAL AND THE PROPRIETARY PROPERTY OF LEGRAND | AV. NEITHER THIS DESIGN NOR ANY INFORMATION CONTAINED IN THIS DRAWING MAY BE REPRODUCED OR DISCLOSED TO OTHERS WITHOUT THE EXPRESS WRITTEN CONSENT OF LEGRAND | AV.

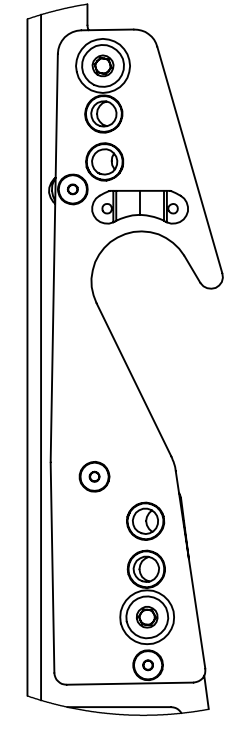
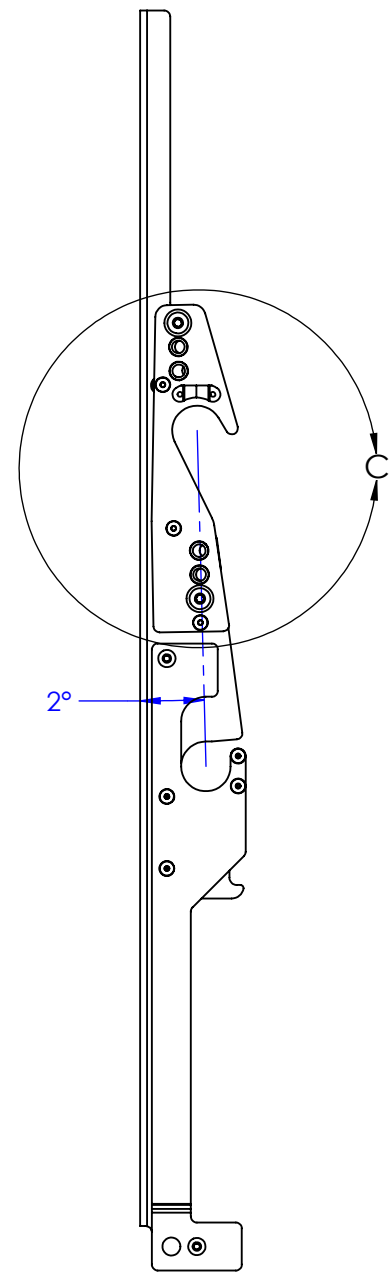
CAD GENERATED DRAWING, DO NOT MANUALLY UPDATE.					6436 CITY WEST PKWY EDEN PRAIRIE MN, 55344 PHONE: 866-977-3901 FAX: 877-894-6918	
DRAWN BY	HEF	10/7/2021	DESCRIPTION			
ENG APPROVAL			TECH DRAWING MICRO-ADJUST WALL MOUNT XXL			
MFG APPROVAL			MODEL NO.			
QA APPROVAL			KITXWXSMLU			
SHEET 1 OF 2		SCALE	SIZE	DWG. NO.	REV.	
		1:12	B	TECH-001197	00	



DETAIL A
SCALE 1 : 2




DETAIL B
SCALE 1 : 2



DETAIL C
SCALE 1 : 2

BACKWARDS ANGLE COMPENSATION SETTINGS

THE INFORMATION AND DESIGNS CONTAINED IN THIS DRAWING ARE CONFIDENTIAL AND THE PROPRIETARY PROPERTY OF LEGRAND | AV. NEITHER THIS DESIGN NOR ANY INFORMATION CONTAINED IN THIS DRAWING MAY BE REPRODUCED OR DISCLOSED TO OTHERS WITHOUT THE EXPRESS WRITTEN CONSENT OF LEGRAND | AV.

CAD GENERATED DRAWING, DO NOT MANUALLY UPDATE.					6436 CITY WEST PKWY EDEN PRAIRIE, MN, 55344 PHONE: 866-977-3901 FAX: 877-894-6918	
DRAWN BY	HEF	10/7/2021	DESCRIPTION			
ENG APPROVAL			TECH DRAWING MICRO-ADJUST WALL MOUNT XXL			
MFG APPROVAL			MODEL NO.			
QA APPROVAL			KITXWXSMLU			
SHEET 2 OF 2		SCALE	1:4	SIZE	DWG. NO.	REV.
			B	TECH-001197		00