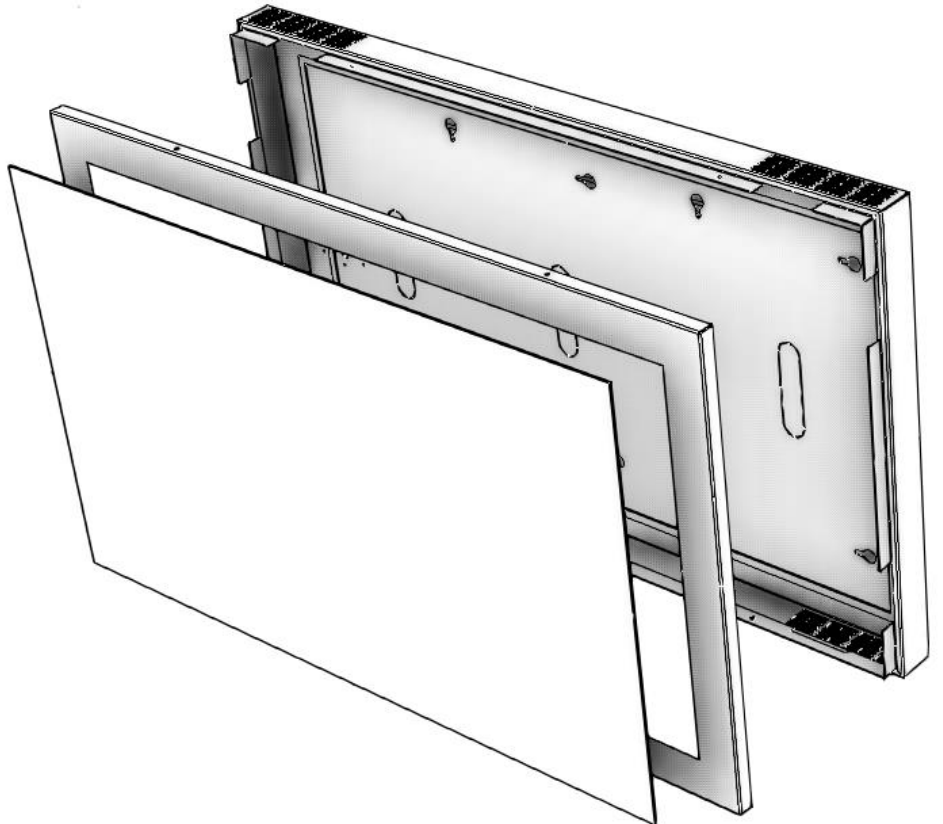


THE WALL INDOOR ENCLOSURE
PROFESSIONAL DISPLAY SUPPORT



THE WALL INDOOR is an excellent choice for the lobby, stairway, next to the elevators - or anywhere the public should be met with information or engaging messages. A perfect way to show the list of tenants in a corporate or residential building. The display will be covered from all sides.

Landscape or portrait?
OMB THE WALL can be used both in landscape and portrait orientation, simply choose when mounting.

Choose glass, or no glass.
When ordering, you can choose optional glass in front of the display to give protection, prevent the public from tampering with the display and allow for easy cleaning. Or, you can order a version without front glass.

THE WALL INDOOR the product is available for different monitor sizes from 32" to 75".

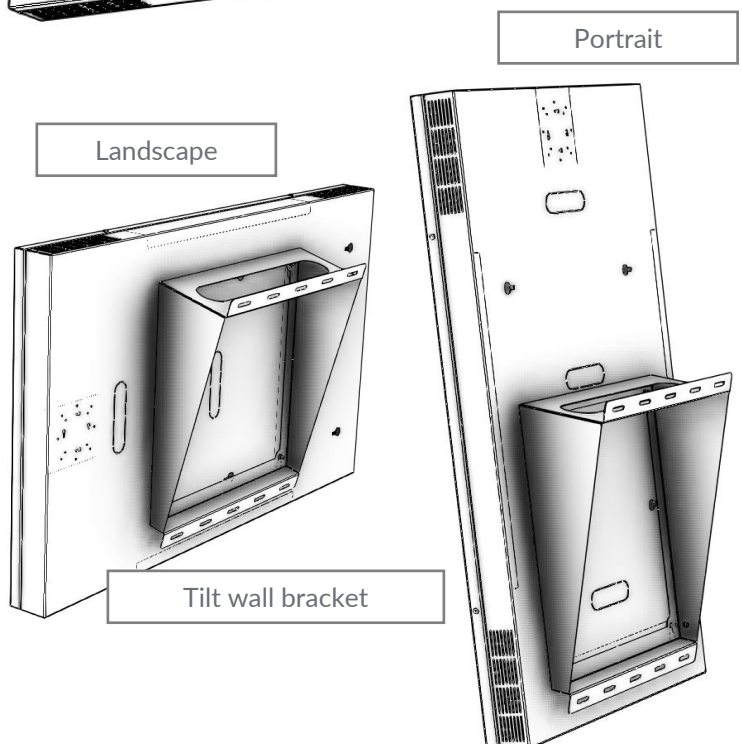
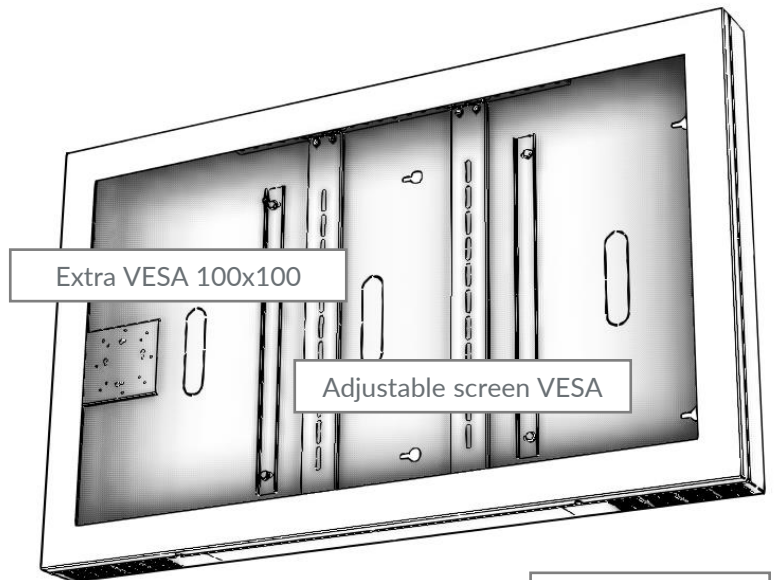
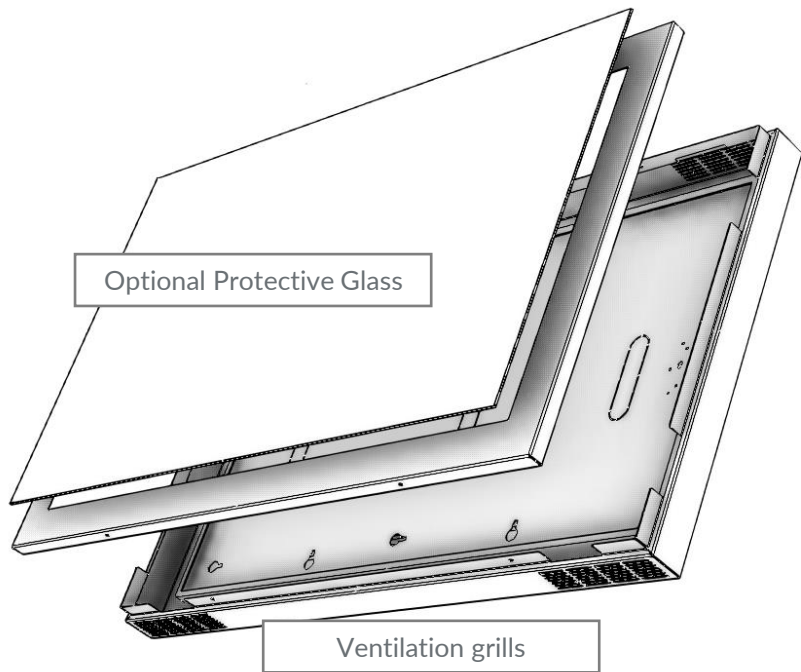
Optional tilt wall bracket
In some cases it is necessary to tilt the screen to increase visibility. THE WALL can be combined with the 15° tilted bracket

MODEL NAME

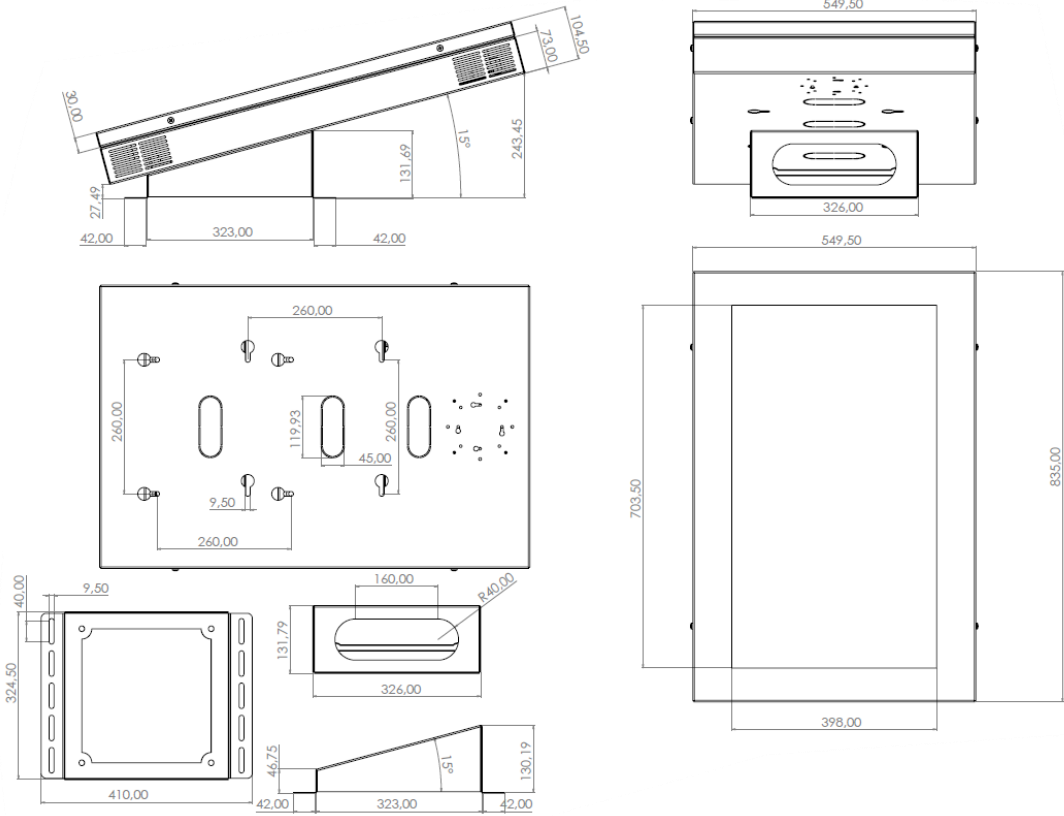
THE WALL INDOOR 32, 43, 55, 65, 75

MAIN FEATURES

- Placement: Wall
- Screen position
 - Portrait
 - Landscape
- VESA
 - THE WALL 32, 43
 - 200, 300, 400
 - THE WALL 55, 65, 75
 - 200, 300, 400, 400X600
- Maximum screen dimension:
 - 32": 728x438x75mm
 - 55": 1254x724x75mm
- Standard colour
 - Black RAL9005
 - White RAL9016
- Made in Italy



THE WALL INDOOR 32



THE WALL INDOOR 55

